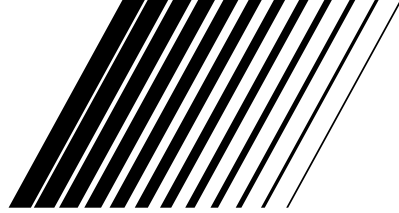
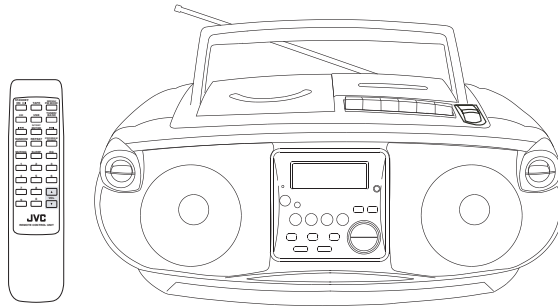


JVC



CD PORTABLE SYSTEM

RC-EZ38S



COMPACT
disc
DIGITAL AUDIO

MP3/WMA
PLAYBACK

INSTRUCTIONS

For Customer Use:

Enter below the Model No. and Serial No. which are located either on the rear, bottom or side of the cabinet. Retain this information for future reference.

Model No. _____

Serial No. _____

LVT1494-003A

[J]

Warnings, Cautions and Others

Mises en garde, précautions et indications diverses



The lightning flash with arrowhead symbol, within an equilateral triangle is intended to alert the user to the presence of uninsulated "dangerous voltage" within the product's enclosure that may be of sufficient magnitude to constitute a risk of electric shock to persons.



The exclamation point within an equilateral triangle is intended to alert the user to the presence of important operating and maintenance (servicing) instructions in the literature accompanying the appliance.

WARNING: TO REDUCE THE RISK OF FIRE OR ELECTRIC SHOCK, DO NOT EXPOSE THIS APPLIANCE TO RAIN OR MOISTURE.

For Canada Only:

This Class B digital apparatus complies with Canadian ICES-003.

Cet appareil numérique de la classe B est conforme à la norme NMB-003 du Canada.

For U.S.A.

This equipment has been tested and found to comply with the limits for a Class B digital device, pursuant to part 15 of the FCC Rules. These limits are designed to provide reasonable protection against harmful interference in a residential installation.

This equipment generates, uses and can radiate radio frequency energy and, if not installed and used in accordance with the instructions, may cause harmful interference to radio communications. However, there is no guarantee that interference will not occur in a particular installation. If this equipment does cause harmful interference to radio or television reception, which can be determined by turning the equipment off and on, the user is encouraged to try to correct the interference by one or more of the following measures: Reorient or relocate the receiving antenna. Increase the separation between the equipment and receiver.

Connect the equipment into an outlet on a circuit different from that to which the receiver is connected. Consult the dealer or an experienced radio/TV technician for help.

CAUTION

Changes or modifications not approved by JVC could void the user's authority to operate the equipment.

For Canada/pour le Canada

THIS DIGITAL APPARATUS DOES NOT EXCEED THE CLASS B LIMITS FOR RADIO NOISE EMISSIONS FROM DIGITAL APPARATUS AS SET OUT IN THE INTERFERENCE-CAUSING EQUIPMENT STANDARD ENTITLED "DIGITAL APPARATUS," ICES-003 OF THE DEPARTMENT OF COMMUNICATIONS.

CET APPAREIL NUMERIQUE RESPECTE LES LIMITES DE BRUITS RADIOELECTRIQUES APPLICABLES AUX APPAREILS NUMIRIQUES DE CLASSE B PRESCRITES DANS LA NORME SUR LE MATERIEL BROUILLEUR; "APPAREILS NUMERIQUES", NMB-003 EDICTEE PAR LE MINISTRE DES COMMUNICATIONS.

CAUTION

To reduce the risk of electrical shocks, fire, etc.:


1. Do not remove screws, covers or cabinet.
2. Do not expose this appliance to rain or moisture.

ATTENTION

Afin d'éviter tout risque d'électrocution, d'incendie, etc.:

1. Ne pas enlever les vis ni les panneaux et ne pas ouvrir le coffret de l'appareil.
2. Ne pas exposer l'appareil à la pluie ni à l'humidité.


CAUTION — /I STANDBY/ON button !

Disconnect the mains plug to shut the power off completely (all lamps and indications go off). When installing the product, ensure that the plug is easily accessible. The /I STANDBY/ON button in any position does not disconnect the mains line.

- When the unit is on standby, the STANDBY lamp lights red.
- When the unit is turned on, the STANDBY lamp goes off.

The power can be remote controlled.

ATTENTION — Touche /I STANDBY/ON

Déconnectez la fiche de secteur pour mettre l'appareil complètement hors tension (tous les témoins et toutes les indications s'éteignent). Lors de l'installation de l'appareil, assurez-vous que la fiche soit facilement accessible. La touche /I STANDBY/ON dans n'importe quelle position ne déconnecte pas l'appareil du secteur.

- Quand l'appareil est en mode d'attente, le témoin STANDBY est allumé en rouge.
- Quand l'appareil est sous tension, le témoin STANDBY s'éteint.

L'alimentation ne peut pas être commandée à distance.

IMPORTANT FOR LASER PRODUCTS / IMPORTANT POUR PRODUITS LASER

1. CLASS 1 LASER PRODUCT
 2. **CAUTION:** Do not open the top cover. There are no user serviceable parts inside the unit; leave all servicing to qualified service personnel.
 3. **CAUTION:** (For U.S.A.) Visible and/or invisible class II laser radiation when open. Do not stare into beam. (For Canada) Visible and/or invisible class 1M laser radiation when open. Do not view directly with optical instruments.
1. PRODUIT LASER CLASSE 1
 2. **ATTENTION:** N'ouvrez pas le couvercle supérieur. Il n'y a aucune pièce réparable par l'utilisateur à l'intérieur de l'appareil; confiez toute réparation à un personnel qualifié.
 3. **ATTENTION:** (Pour les Etats-Unis) Radiation laser de classe II visibles et/ou invisible si l'appareil est ouvert. Ne regardez pas le rayon. (Pour le Canada) Rayonnement laser visible et/ou invisible de classe 1M une fois ouvert. Ne pas regarder directement avec des instruments optiques.



[European Union only]
[Union européenne seulement]

Caution: Proper Ventilation

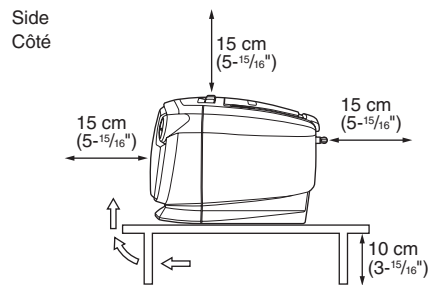
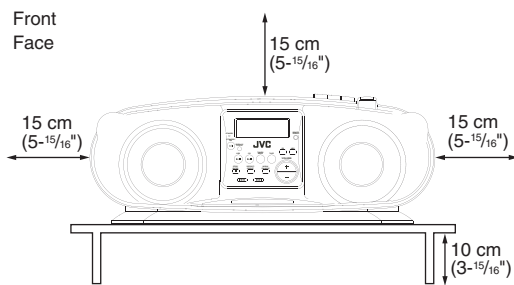
To avoid risk of electric shock and fire, and to prevent damage, locate the apparatus as follows:

1. Front: No obstructions and open spacing.
2. Sides/ Top/ Back: No obstructions should be placed in the areas shown by the dimensions below.
3. Bottom: Place on the level surface. Maintain an adequate air path for ventilation by placing on a stand with a height of 10 cm (3-15/16") or more.

Attention: Aération correcte

Pour prévenir tout risque de décharge électrique ou d'incendie et éviter toute détérioration, installez l'appareil de la manière suivante:

1. Avant: Bien dégagé de tout objet.
2. Côtés/dessus/dessous: Assurez-vous que rien ne bloque les espaces indiqués sur le schéma ci-dessous.
3. Dessous: Posez l'appareil sur une surface plane et horizontale. Veillez à ce que sa ventilation correcte puisse se faire en le plaçant sur un support d'au moins dix centimètres de hauteur.



Thank you for purchasing this JVC product.

Please read these instructions carefully before starting operation to be sure to obtain optimum performance and a longer service life from the unit.

CONTENTS


FEATURES	1	ADJUSTING THE SOUND	8
SAFETY PRECAUTIONS	1	PLAYING COMPACT DISCS	9
HANDLING PRECAUTIONS	2	RADIO RECEPTION	16
POWER SUPPLY	3	CASSETTE PLAYBACK	18
NAMES OF PARTS AND CONTROLS	4	RECORDING	19
REMOTE CONTROL UNIT	5	MAINTENANCE	20
TURNING THE UNIT ON/OFF	6	TROUBLESHOOTING	21
SETTING THE CLOCK	7	SPECIFICATIONS	22

FEATURES

- 1 Portable system incorporating CD player**
 - CD functions can be operated with the remote control unit as well as on the main unit.
 - 8-cm CD playback capability
- 2 Digital LCD (Liquid Crystal Display) indicates general playback status.**
- 3 Synchronized recording with CD/USB playback**
- 4 MP3/WMA playback capability**
- 5 Hyper-Bass Sound effect**

SAFETY PRECAUTIONS

Prevention of Electric Shocks, Fire Hazards and Damages

- Even when the STANDBY/ON  button is set to STANDBY, a very small current will flow. When the unit is turned on, the display window lights up. When the unit is in standby mode, the display window turns off. (Note, however, that the display window does not light even when the unit is turned on if the unit is operated on batteries.) To save power and for safety when not using the unit for an extended period of time, disconnect the power cord from the household AC outlet.
- Do not handle the power cord with wet hands.
- When unplugging from the wall outlet, always grasp and pull the plug, not the power cord.
- Consult your nearest dealer when damage, disconnection, or contact failure is found with the cord.
- Do not bend the cord sharply, or pull or twist it.
- Rating label is placed on the exterior of the rear of the unit.
- Do not modify the power cord in any manner.
- Do not remove screws to disassemble the unit and do not touch anything inside the unit to avoid accidents.
- Do not insert any metallic objects into the unit.
- Unplug the power cord when there is a possibility of lightning.
- If water gets inside the unit, unplug the power cord from the outlet and consult your dealer.

- Do not block the ventilation holes of the unit so that heat can escape.
- Do not install the unit in a badly ventilated place.

HANDLING PRECAUTIONS

Do not use this unit in direct sunlight or leave the unit in a closed automobile (or yacht, etc.) where it would be exposed to high temperatures above 40°C (104°F).

1 Avoid using the unit in the following places:

- Where the temperature may become excessively high or low; the recommended temperature range is 5°C and 35°C (41°F and 95°F).
- Where it could be subject to vibrations.
- Where it is excessively humid, such as in a bathroom.
- Where it could be magnetized by a magnet or speaker.

2 Pay attention to dust.

Be sure to close the disc door so that the lens is not contaminated by dust. Do not touch the lens.

3 Condensation

Condensation may occur in the following cases, in which the unit may not operate correctly:

- The unit is in a room where a heater has just been switched on.
- The unit is in a place where there is smoke or high humidity.
- The unit has just moved from a cold place to a warm room.

In these cases, set the STANDBY/ON button to ON and wait one or two hours before use.

4 Volume control

Compact discs produce very little noise compared with analog records. If you adjust the volume by listening to the noise as you do with analog records, the speakers could be damaged by a sudden blast of sound when playback starts. Therefore, turn down the volume before starting and adjust it as required while playing a CD.

5 Safety mechanism

The unit incorporates a safety interlock mechanism which switches off the laser beam when the disc door is opened.

6 Do not place magnetic objects such as cassette tapes near the speakers.

Since the speakers contain magnets inside, do not place cassette tapes or magnetic cards nearby as recorded data could be erased.

7 Keep the unit away from the TV.

When the unit is used near a TV, the TV picture could be distorted. If this happens, move the unit away from the TV. If this does not correct the situation, avoid using the unit when the TV is turned on.

8 Cleaning the cabinet

If the cabinet gets dirty, wipe it with a soft, dry cloth. Never use benzene or thinner as these could damage the surface finish.

9 When listening with headphones

- Do not listen at high volumes as it could damage your hearing.
- For safety, do not drive while listening with headphones.

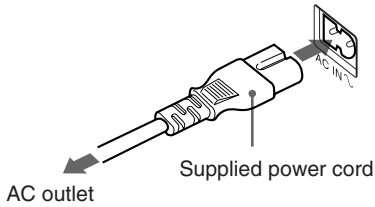
10 Carrying handle

Do not raise or lower the carrying handle with the telescopic antenna extended, to avoid damaging the antenna. Position the carrying handle so that it does not interfere with operation.

POWER SUPPLY

Operation on household AC

Connect the AC power cord.



CAUTIONS:

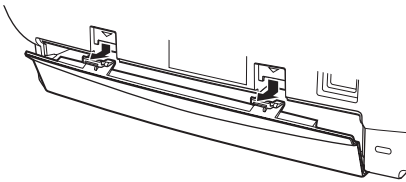
- Use only with the JVC power cord provided with this unit to avoid malfunction or damage to the unit. Remove batteries when using the power cord.
- Be sure to unplug the power cord from the outlet when going out or when the unit is not in use for an extended period of time.

Operation on batteries

Loading batteries

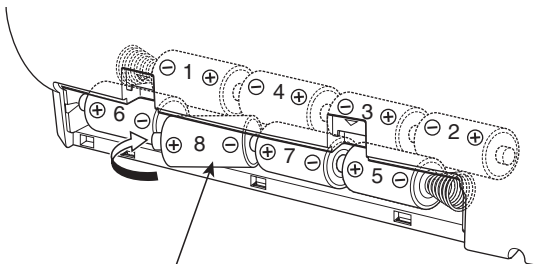
1 Open the battery cover.

Pull the battery cover toward you while pressing the sections marked by the arrows.



2 Insert eight R20 (SUM-1)/D (13D)-size batteries (not supplied).

Be sure to insert the batteries with the ⊕ and ⊖ terminals positioned correctly.



R20 (SUM-1)/D (13D)-size batteries

3 Replace the cover.

Checking batteries

When the tape speed or output sound level decreases, or CD playback becomes intermittent, replace all batteries with fresh ones.

When making an important recording, use new batteries (preferably alkaline batteries for a longer service life) to avoid any possible failure.

For better battery usage

- Continuous operation of the unit causes the battery power to be consumed more quickly than noncontinuous operation.
- Operation of the unit in a cold place causes the battery power to be consumed more quickly than in a warm place.

CAUTIONS:

- When not using the unit for a long time (more than two weeks) or when using the household AC, remove the batteries to avoid a malfunction or damage to the unit.
- When the JVC power cord provided with this unit is connected, the power is automatically switched from the batteries to the household AC even when the batteries are loaded. However, remove the batteries when using the power cord.

CAUTIONS WHEN USING BATTERIES:

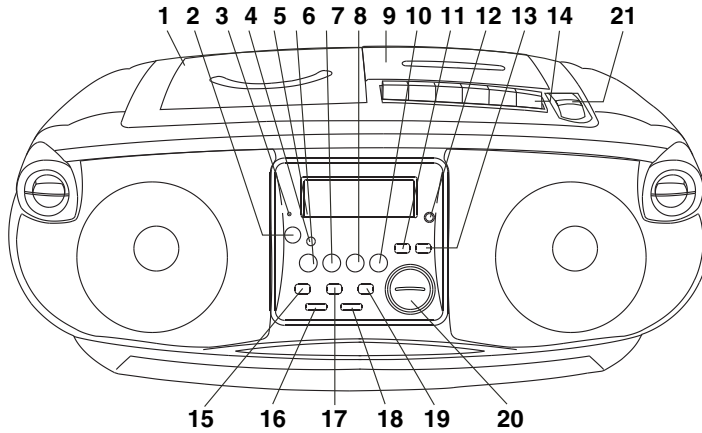
When batteries are used incorrectly, it may result in the leakage of chemicals from the batteries or they may explode. The following care should be taken:

- Check that the positive ⊕ and negative ⊖ terminals of the batteries are positioned correctly and load them as shown in the figure on the left.
- Do not mix new and old batteries together, or mix different types of batteries.
- Do not try to recharge non-rechargeable batteries.
- Remove the batteries when the unit is not to be used for an extended period of time.

If chemicals from the batteries come in contact with your skin, wash them off immediately with water. If chemicals leak onto the unit, clean the unit completely.

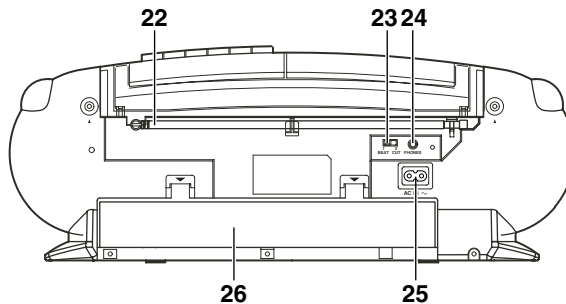
NAMES OF PARTS AND CONTROLS

Top and front sides



- | | |
|-----------------------------------|-------------------------------|
| 1 CD door | 14 Cassette operation buttons |
| 2 STANDBY/ON ⏻ /I button | II PAUSE button |
| 3 STANDBY indicator | ■/▲ STOP/EJECT button |
| 4 CLOCK button | ▶▶ FF button |
| 5 DISPLAY window | ◀◀ REW button |
| 6 USB ▶/II button | ▶ PLAY button |
| 7 CD ▶/II button | ● REC button |
| 8 TUNER/BAND button | 15 ■ STOP/ENTER button |
| 9 CASSETTE holder | 16 ◀◀ button |
| 10 TAPE button | 17 REPEAT/PRESET button |
| 11 EQ button | 18 ▶▶ button |
| 12 REMOTE SENSOR section | 19 MENU/FM MODE button |
| 13 HBS button | 20 VOLUME button (+/-) |
| | 21 USB terminal |

Rear side



- | | |
|--------------------------|---------------------------------|
| 22 FM Telescopic antenna | 25 AC IN \sim (AC input) jack |
| 23 BEAT CUT switch | 26 Battery compartment cover |

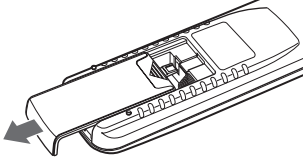
24 PHONES jack

Connect stereo mini headphones (3.5-mm (3/16") diameters, impedance of 16 Ω to 32 Ω) to this jack. The speaker output is switched off with headphones connected.

REMOTE CONTROL UNIT

Installing batteries

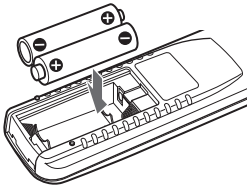
1 Remove the battery cover from the back of the remote control unit.



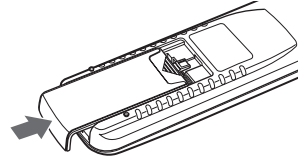
2 Insert two AAA (UM-4)/R03-size batteries (not supplied).

Insert the batteries with the ⊕ and ⊖ terminals matching the indication inside the battery compartment. Insert the ⊖ ends first.

AAA (UM-4)/R03-size batteries



3 Replace the battery cover.



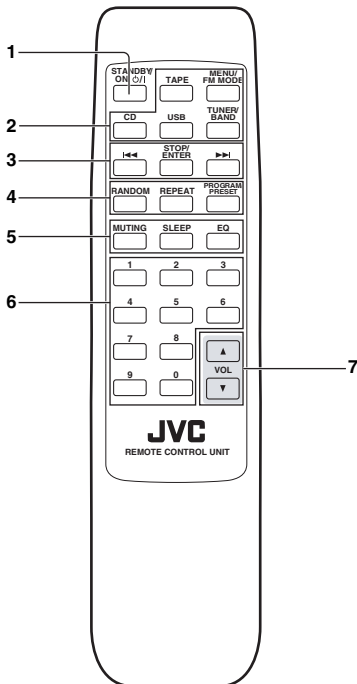
Battery replacement

The maximum operating distance between the remote control unit and the remote sensor section of the unit is approximately 7 meters. When the operating range decreases or remote control operation becomes unstable, replace the batteries with new ones.

Notes on using the remote control unit

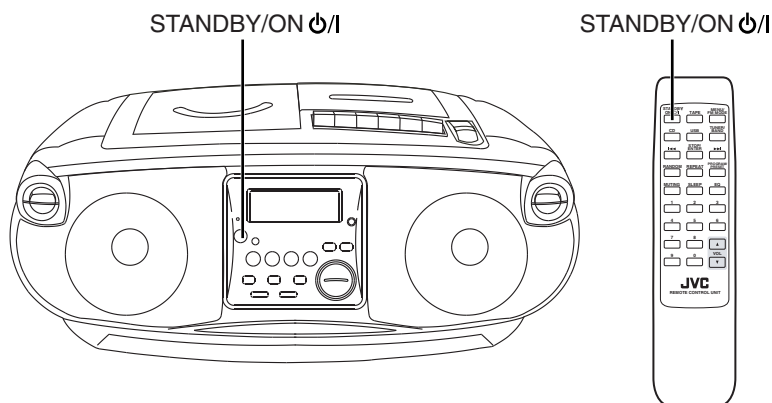
- Point the top of the remote control unit toward the remote sensor section of the unit as directly as possible. The operable distance from the main unit decreases if you point the remote control unit at an angle.
- Press the buttons gently and firmly.
- Do not expose the remote sensor section of the unit to strong light (direct sunlight or artificial lighting) and make sure that there are no obstacles between the remote sensor section and the remote control unit.

Names of buttons



- 1** STANDBY/ON \odot /I button
- 2** TAPE button
MENU/FM MODE button
CD button
USB button
TUNER/BAND button
- 3** \lll button
STOP/ENTER button
 \ggg button
- 4** RANDOM button
REPEAT button
PROGRAM/PRESET button
- 5** MUTING button
SLEEP button
EQ button
- 6** Number buttons
- 7** VOLUME +/- buttons

TURNING THE UNIT ON/OFF



⏻/I

STANDBY/ON ⏻/I button

Press the STANDBY/ON ⏻/I button on the unit to turn the unit on.

You can also press the STANDBY/ON ⏻/I button on the remote control unit.

The display window lights up when the unit is turned on. (Note, however, that the display window does not light even when the unit is turned on if the unit is operated on batteries.) The unit comes on ready to play the source selected when the unit was last turned off.

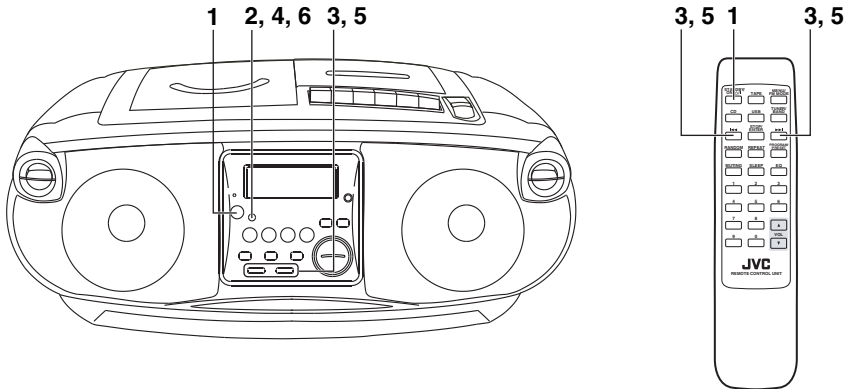
To switch off the power supply completely

Unplug the AC power cord from the AC outlet. If the batteries are inserted in the unit, take them out.

Notes:

- When you unplug the AC power cord or if a power failure occurs, the clock is reset to “AM 12:00,” while the tuner preset stations (see page 17) will be erased in a few days. The clock indication will keep flashing until you set the clock again.
- Remove the batteries when carrying the unit by hand or in the trunk of a car. This prevents the power from being accidentally turned on, thus avoiding wasteful battery consumption.

SETTING THE CLOCK



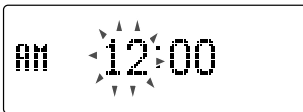
Before operating the unit any further, first set the clock built in this unit.

There is a time limit in doing the following steps. If the setting is canceled before you finish, start from step 2 again.

1 Press STANDBY/ON \odot /I to turn on.

2 Press and hold CLOCK.

The hour digits start flashing.



3 Press \lll or \ggg to adjust the hour.

4 Press CLOCK.

The minute digits start flashing.



5 Press \lll or \ggg to adjust the minutes.

6 Press CLOCK.

Note:

If there is a power failure, the clock loses the setting. The clock indication will keep flashing until you set the clock again.

To show the clock when the unit is on

Press CLOCK.

Each time you press the button, the display changes the clock indication and the normal indication alternately.

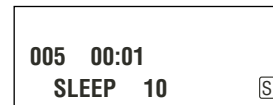
To set the sleep timer

When the time you specify elapses, the system will be turned off automatically.

On the remote control only.

1 Press SLEEP.

Flashing "SLEEP 10" and "S" are displayed.



Each time you press the SLEEP button, the time length changes as follows:

10→20→30→60→90→120→OFF→(back to the beginning)

2 Wait for a few seconds.

Only the "S" is displayed, and the sleep timer is set.

To Confirm the Sleep Time:

Press SLEEP once while the sleep timer is set.

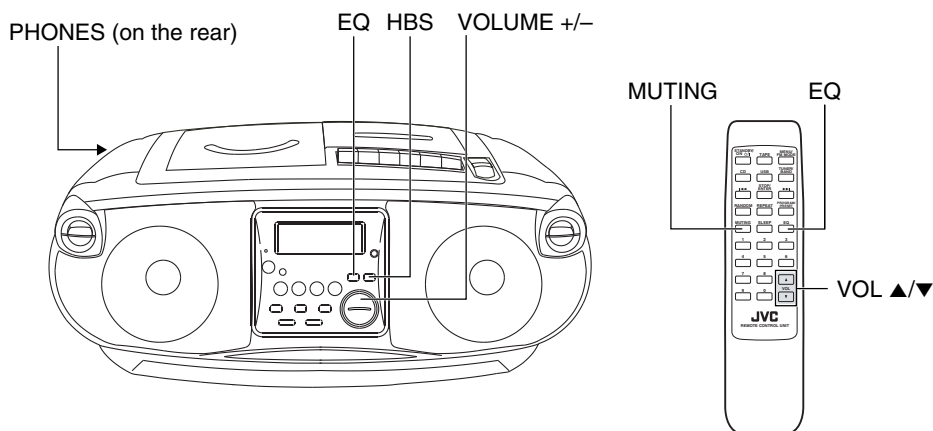
To Cancel the Sleep Timer Setting:

Press SLEEP repeatedly until "SLEEP OFF" appears.

Note:

The sleep timer will also be cancelled when the power is turned off.

ADJUSTING THE SOUND



Adjusting the volume

Press **VOLUME +** or **VOLUME -** to increase or decrease the volume.

You can press **VOL ▲** or **VOL ▼** on the remote control unit to increase or decrease the volume respectively.

The volume level can be adjusted in 41 steps (VOLUME MIN, 01, 02, ... 39, VOLUME MAX).

Note:

The volume level is automatically adjusted to 15 when the unit is turned on.

Turning off the sound temporarily

During playback, press **MUTING** on the remote control unit.

The sound is turned off and M appears in the display window.

To restore the sound, press **MUTING** again.

Listening through headphones

Connect a pair of headphones to the **PHONES** jack. No sound comes out of the speakers anymore. Be sure to turn down the volume before connecting headphones.

Reinforcing the bass sound

You can enjoy powerful bass sound with the Hyper-Bass Sound effect.

Press **HBS** once to turn on the effect.

To turn off the effect, press **HBS** one more time.

When **HBS** is pressed, “HBS ON” or “HBS OFF” is displayed.

Selecting the sound modes

You can select one of the 5 preset sound modes.

JAZZ : Good for jazz music.

ROCK : Boosts low and high frequency. Good for acoustic music.

POP : Good for vocal music.

CLASSIC: Good for classical music.

FLAT : Normal sound.

To select the sound mode

Press **EQ** repeatedly until the indicator for the sound mode you want appears in the display window.

Each time you press the button, the sound mode changes as follows:



PLAYING COMPACT DISCS

Notes on compact discs

This unit has been designed only to play back the following CDs.

- Digital audio CD
- Recordable digital audio CD (CD-R)
- Rewritable digital audio CD (CD-RW)



When playing a CD-R or CD-RW

You can play back **finalized CD-R or CD-RW** recorded in **music CD format** or in **MP3 or WMA format**. (If a CD-RW has been recorded in a different format, erase all the data on the CD-RW completely before recording on it.)

- You can play back CD-R or CD-RW in music CD format like an audio CD.
- Some CD-R or CD-RW may not be played back on this unit because of their disc characteristics, damage or stain on them, or if the player lens is dirty.
- The reflection factor of CD-RW is lower than that of other CDs, possibly causing CD-RW to take longer time to read.

Playing Back a Disc/USB Memory/DAP:

- This System cannot play “packet write” discs.
- For MP3/WMA playback...
 - MP3/WMA discs are required a longer readout time than regular CDs. (It depends on the complexity of the group/file configuration.)
 - Some MP3/WMA files cannot be played back and will be skipped. This result from their recording processes and conditions.
 - When making MP3/WMA discs, use ISO 9660 Level 1 for the disc format.
 - This System can play back MP3/WMA files with the extension code <.mp3> or <.wma> (regardless of the letter case–upper/lower).
 - Some characters or symbols will not be shown correctly on the display. The maximum character number shown on the display is 32 (without the extension code) for files, and 30 for ID3 tag.
 - It is recommended that you make each MP3 file at a sampling rate of 44.1 kHz and at a bit rate of 128 kbps. Similarly each WMA file at a sampling rate of 44.1 kHz and at a bit rate of 96 kbps.
 - This System can recognize the total of 999 tracks and of 499 groups. Those exceeding the maximum number cannot be recognized.

- Playback order of MP3/WMA tracks may be different from the one you have intended while recording. If a folder does not include MP3/WMA tracks, they are ignored.

Handling discs

Since dirty, damaged or warped discs could damage the unit, care should be taken of the following:

- Do not touch the reflective recorded surface.
- Do not stick or write anything on the label side.
- Do not bend discs.

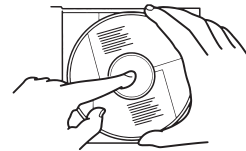
Storage

- After removing a disc from the unit, be sure to put it back in its case.
- Do not expose discs to direct sunlight, high temperatures from a heater, etc., high humidity or dust.

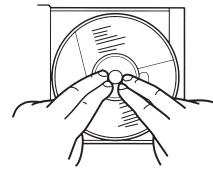
Cleaning discs

Before loading a disc, wipe off any dust, dirt or fingerprints with a soft, dry cloth. Discs should be cleaned by wiping radially, from the center to edge. Never use thinner, benzine, record cleaner or antistatic spray.

- **Removing the disc from its storage case and replacing it**



Press the center and lift out.



Press to secure the disc.

- **Handling**



Incorrect

- **Cleaning**

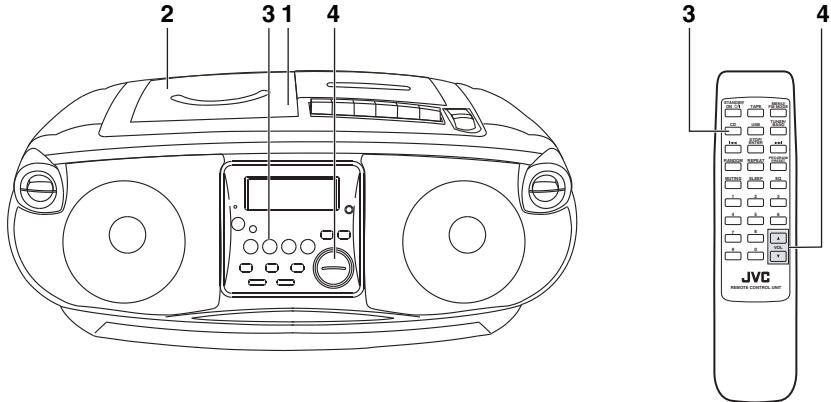


Correct

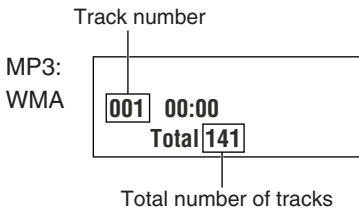
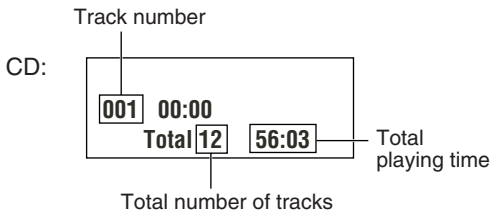



Incorrect

PLAYING COMPACT DISC

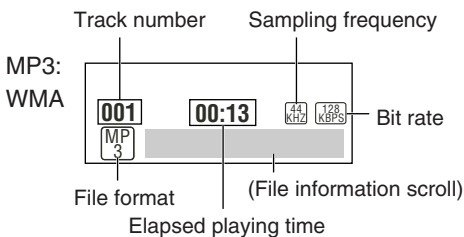
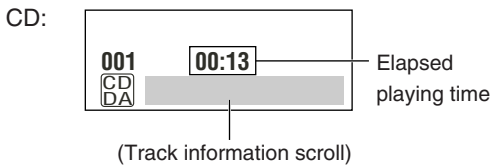


- 1 Press PUSH OPEN/CLOSE to open the disc door.**
 - 2 Load a disc with the label side facing up and close the disc door.**
 - 8-cm CD can be played on the unit without an adapter.
- The following indications are displayed.



- 3 Press CD  to start playback.**

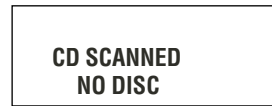
You can start playback by pressing CD on the remote control unit.



- 4 Adjust the volume.**

Notes:

- When an MP3 or WMA file is loaded, it may take more than 30 seconds to be read in, depending on the amount of information compiled in the disc.
- The following indication may be displayed when the disc is loaded upside down. Reload the disc correctly.



- Mistracking may occur if a strong shock is applied to the unit or if it is used in a place subject to vibrations (e.g. in a car travelling on a rough road).

To stop playback

Press STOP/ENTER.

You can press STOP/ENTER on the remote control unit to stop playback.



Main unit



Remote

Caution:

Stop playback before opening the disc door. Check that the disc has completely stopped rotating before unloading the disc.

To pause playback

Press CD  during playback.

To resume playback, press the button again.



Main unit



Remote

Selecting a desired track directly

Use the number buttons on the remote control unit.

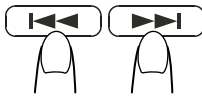
Example:

- To select track 8, press 8.
- When the total number of tracks is double-digits:
To select track 21, press 0 , 2 , then 1.
- When the total number of tracks is triple-digits:
To select track 21, press 0 , 0 , 2 , then 1.
To select track 115, press 0 , 1 , 1 , then 5.

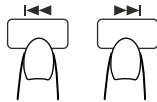
Search – locating a desired position on the disc (audio CD only)

Press and hold  or  during playback.

Monitor the sound and release the button when the desired position is located.



Main unit

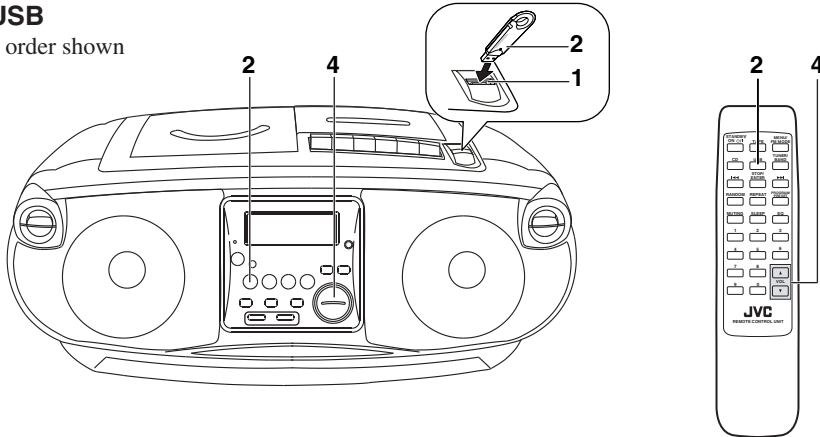


Remote

PLAYING USB

Playing a USB

Operate in the order shown

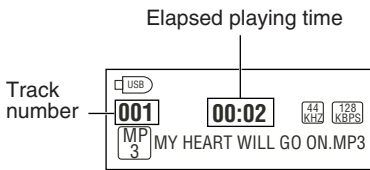


1 Open the USB terminal cover.

2 Insert a USB.

- Press the USB ►/|| button to start play.

3 The track number is displayed.



4 Adjust the sound.

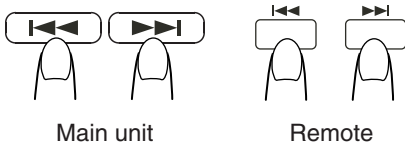
Skipping

• **To skip back to the previous track**

During playback, press ◀◀ once to return to the beginning of the current track, press twice to skip back to the beginning of the previous track.

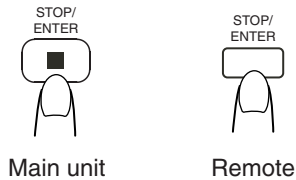
• **To skip to the next track**

During playback, press ▶▶ to skip to the beginning of the next track.



To stop play

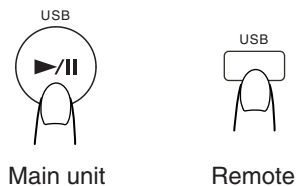
During playback, press the ■ button to stop play.



• **To stop a USB temporarily**

Press the USB PLAY/PAUSE ►/|| button to stop play temporarily.

When pressed again, play resumes from the point where it was paused.

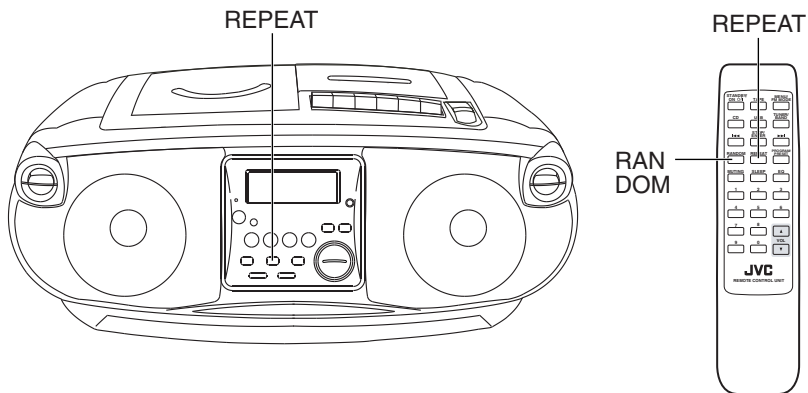


IMPORTANT:

- Always set volume to “VOLUME MIN” when connecting or disconnecting the other equipment.
- Connect the USB Memory or DAP directly to the top cabinet of the unit. Connecting via a USB hub may result in malfunction.
- USB Memory and DAPs compatible with the USB mass storage class specifications are connectable.
- Some DAPs are not compatible with the unit.
- Copyrighted tracks (WMA-DRM* tracks) cannot be played on the unit.
- Coded or encrypted tracks in a special method cannot be played on the unit.

* DRM (Digital Rights Management): Any of several technical methods used to control or restrict the use of digital media content on electronic devices with such technologies installed.

Repeat/Random playback (for CD mode or USB mode)



Repeat playback

Press REPEAT during playback.



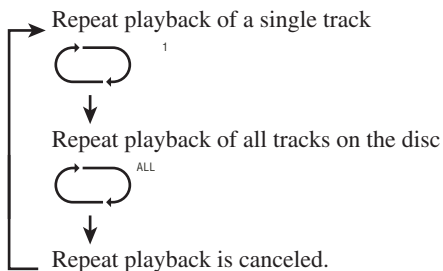
Main unit



Remote

Each time you press the button, the repeat mode changes in the following order:

In case of an audio CD or USB mode:



Random playback

Press RANDOM in CD mode so that the RANDOM indicator lights up in the display window.

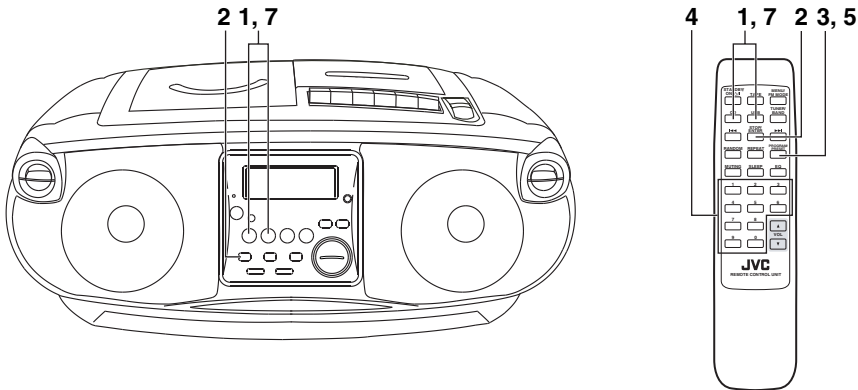
You can press RANDOM on the remote control unit to select random playback.

Tracks are played in random order.

To cancel random playback, press the button again so that the RANDOM indicator goes off.

Programmed playback (for CD mode or USB mode)

Up to 32 tracks can be programmed to play in any desired order.



1 Press CD  or USB  to enter each mode, if the unit is in TUNER or TAPE mode.

You can press CD or USB on the remote control unit to enter each mode.

2 Press STOP/ENTER to enter stop mode.

3 Press PROGRAM/PRESET.



Track to be programmed

4 Press the number buttons on the remote control unit to select a desired track to be programmed.

Example:

- To select track 8, press 8.
- When the total number of tracks is double-digits:
To select track 21, press 0, 2, then 1.
- When the total number of tracks is triple-digits:
To select track 21, press 0, 0, 2, then 1.
To select track 115, press 0, 1, 1, then 5.

5 Press PROGRAM/PRESET.

6 Repeat steps 4 and 5 to program other tracks.

7 Press CD  or USB .

The tracks are played in the order you have programmed.

You can press CD on the remote control unit to start programmed playback.

“PROG” is displayed.

To repeat programmed playback

Press REPEAT on the remote control unit after starting programmed playback.

To erase the entire program in the memory

Press STOP/ENTER (or STOP/ENTER on the remote control unit) in stop mode when “PROG” is displayed. The program is cleared, and the PROG indicator goes off.

The program is also cleared when you open the disc door, turn off the unit or change to other audio sources.

Note:

You cannot program more than 32 tracks.

“FULL MEMORY” is displayed when you program the 32nd track.

Confirm/Play MP3 or WMA files on a CD or a USB

1 Press MENU/FM MODE.

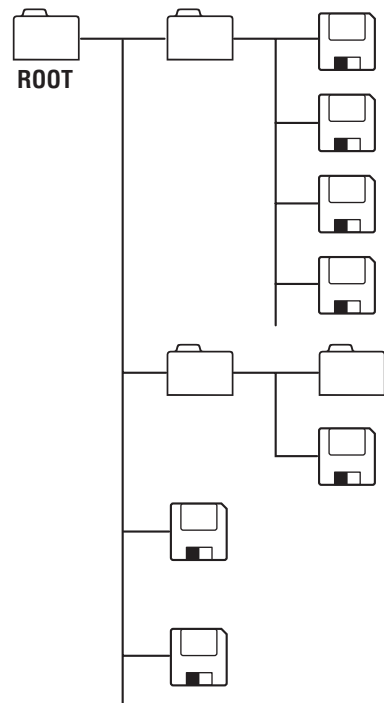
Folders are displayed.



- Press |◀◀ or ▶▶| to change to another folder on the same layer.
- Press STOP/ENTER to change to a lower layer.
- Press MENU/FM MODE to change to an upper layer.

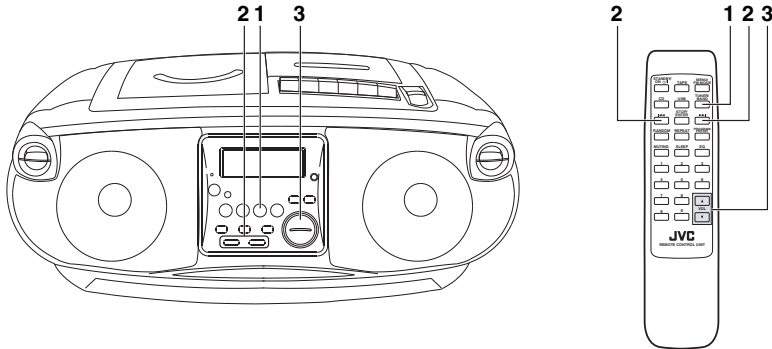
2 Press |◀◀ or ▶▶| to select a desired track(file).

3 Press STOP/ENTER to play.



RADIO RECEPTION

Tuning in a station



1 Press TUNER/BAND to select the band, FM or AM.

You can press TUNER on the remote control unit to select the band.

2 Press and hold ◀◀ or ▶▶ for more than 1 second.

The unit starts searching and stops when a station of sufficient signal strength is tuned in.

If you press ◀◀ or ▶▶ briefly and repeatedly, the frequency changes.

3 Adjust the volume.

Changing the FM reception mode

When an FM stereo broadcast is hard to receive or noisy, reception improves in monaural reception.

Press MENU/FM MODE.

STEREO indicator appears in the display window.

Press the button again to show MONO indicator in the display window.

Select either mode for a better reception.



Main unit



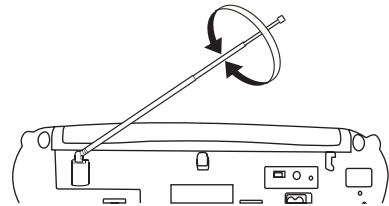
Remote

Note:

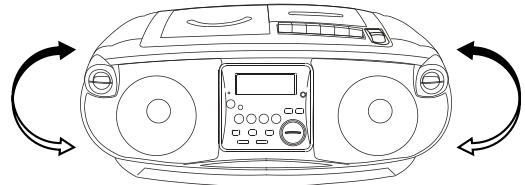
The FM reception mode setting may be canceled when you tune in another station.

Using the antennas

FM



AM

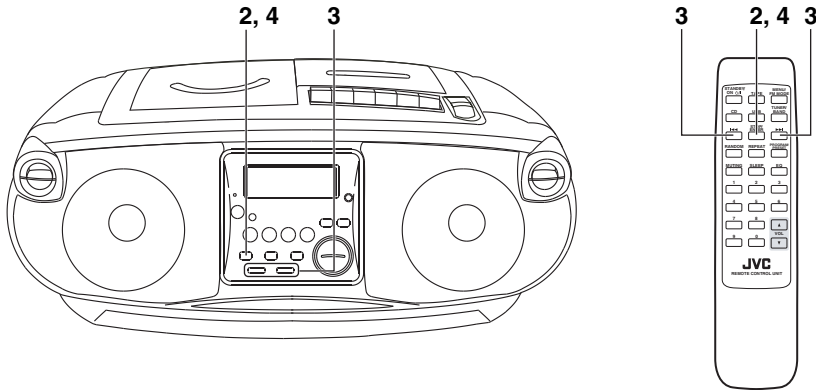


Note:

The built-in ferrite core antenna may pick up interference from television receivers in the neighborhood disturbing AM reception.

Presetting stations

You can preset 30 FM and 15 AM stations.



There is a time limit in doing the following steps. If the setting is canceled before you finish, start from step 3 again.

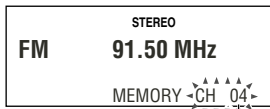
Note:

In some cases, test frequencies have been already memorized for the tuner since the factory examined the tuner preset function before shipment. This is not a malfunction. You can preset the stations you want into memory by following the presetting method.

1 Tune in the station you want to preset.

2 Press STOP/ENTER.

The preset number starts blinking in the display window.



Preset number

3 Press ◀◀ or ▶▶ to select the preset number.

4 Press STOP/ENTER.

“STORED” is displayed and the tuned station is stored.



Repeat steps 1 to 4 to preset other stations, using different preset numbers.

Tuning in a preset station

1 Press TUNER/BAND to select the band, FM or AM.

2 Press PROGRAM/PRESET.

3 Press ◀◀ or ▶▶ to select the preset number.

You can use the number buttons on the remote control unit to select the preset number directly.

Example:

To select preset number 5, press 5.

To select preset number 15, press 0, 1, then 5.

To select preset number 20, press 0, 2, then 0.

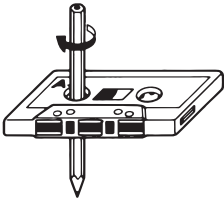
Note:

If you unplug the AC power cord or if a power failure occurs, the preset stations will be erased in a few days. If this happens, preset the stations again.

CASSETTE PLAYBACK

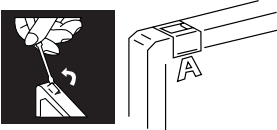
Notes on cassette tapes

- Use only type-I normal tapes. The recording/playback characteristics of this unit are those for normal tapes, which have different characteristics from CrO₂ and metal tapes.
- The use of tapes longer than 120 minutes is not recommended, since characteristic deterioration may occur and these tapes easily jam in the pinch roller and the capstan.
- Loose tape may cause trouble. Gently tighten the tape with a pencil as shown in the figure below.



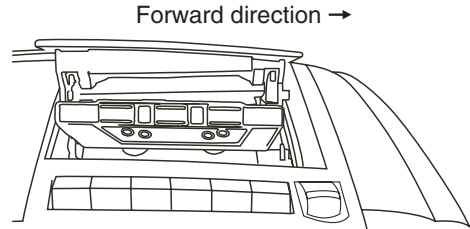
Turn the pencil to take up the slack.

- To prevent recordings from being accidentally erased, remove the tab(s) with a screwdriver. After the tabs have been broken off, reseal the slots with adhesive tape to erase or re-record.



Loading a cassette

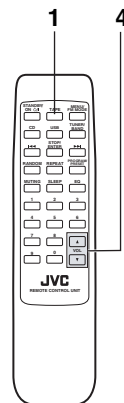
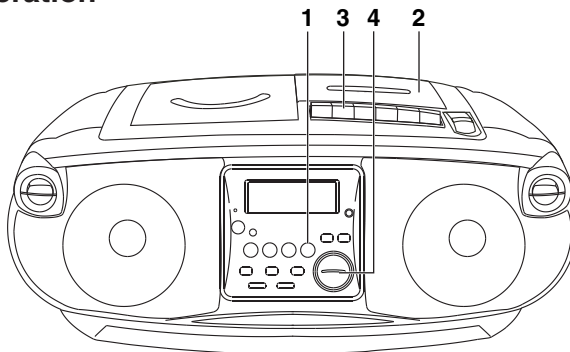
- 1 Press **■/▲ STOP/EJECT** to open the cassette holder.
- 2 Load a cassette with the open side up and the playback side facing out as shown in the figure below.



- 3 Close the cassette holder by pressing it gently and firmly.

The cassette holder clicks back into position.

Basic operation



- 1 Press **TAPE** to enter the tape mode.
- 2 Load a cassette.
Use only a type-I normal tape.
- 3 Press **▶ PLAY** to start playback.
- 4 Adjust the volume.

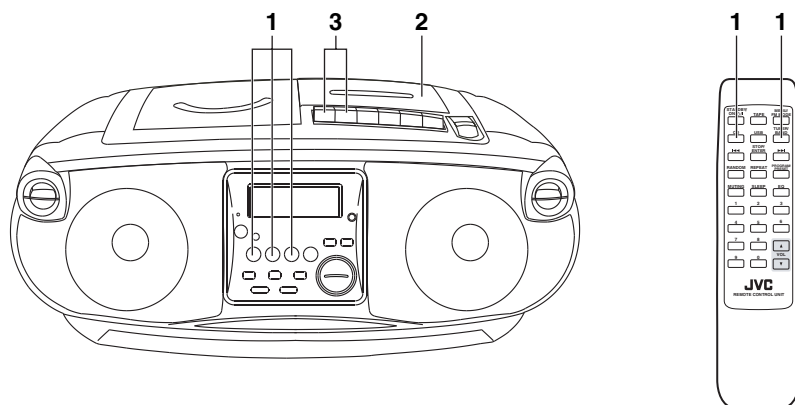
To stop playback

Press **■/▲ STOP/EJECT**.
The tape also stops when it reaches the end.

Fast-winding a tape

Press **◀◀ REW** or **▶▶ FF**.
When the tape reaches the end, press **■/▲ STOP/EJECT** to release **◀◀ REW** or **▶▶ FF**.

RECORDING



Standard recording

1 Prepare the recording source.

- When recording from the radio:
Set to the tuner mode and tune in a desired station.
- When recording from a CD:
Set to the CD mode and load a CD.

2 Load a blank or erasable cassette.

Use only a type-I normal tape.

3 Press ● REC.

- ▶ PLAY is also depressed, and recording starts.

To stop recording

Press ■/▲ STOP/EJECT.

The tape also stops when it reaches the end.

Notes:

- It should be noted that it may be unlawful to re-record pre-recorded tapes, records, or discs without the consent of the owner of copyright in the sound or video recording, broadcast or cable program and in any literary, dramatic, musical, or artistic work embodied therein.
- The recording level is automatically set correctly, so it is not affected by VOLUME. Thus, during recording you can adjust the sound you are actually listening to without affecting the recording level.
- If a recording you made has excessive noise or static, the unit may have been too close to a TV which was on during the recording. Either turn off the TV or increase the distance between the TV and the unit.

Using the beat-cut function

When recording an AM broadcast, beats may occur.

If this happens while recording an AM broadcast, adjust the BEAT CUT switch on the rear to select the beat-cut setting, "1" or "2."



Synchronized recording with the CD or USB player

- In this unit, the CD or USB player starts playback when deck enters the recording mode.

1 Set the STANDBY/ON ⏻/⏻ button to ON.

2 Load a cassette.

3 Load a disc.

4 Set to CD or USB.

5 Press the ● REC button and ▶ PLAY buttons, synchronized recording will start.

- When the tape reaches the end first, the CD or USB player pauses automatically; when the CD or USB player stops first, the tape continues running. In this case, press the ■/▲ STOP/EJECT button to stop the tape.

II PAUSE button

First of all, press the II PAUSE button. Then, press the ● REC and ▶ PLAY buttons, thus entering the record-pause (standby) mode. After that re-press the PAUSE button at the exact moment you want to start recording. This releases the tape to begin recording at a precise moment.

- Do not leave the unit in pause mode for more than a few minutes. Instead, push the ■/▲ STOP/EJECT button and turn the power off.

Erasing

When recording on a pre-recorded tape, the previous recording is automatically erased and only the new material can be heard when the tape is played.

To erase a tape without making a new recording ...

1 Press TAPE to enter the tape mode.

2 Press ● REC to start recording.

Caution:

If a recording you make has excessive noise or static, the unit may have been too close to a TV which was on during the recording. Either turn off the TV or increase the distance between the TV and the unit.

MAINTENANCE

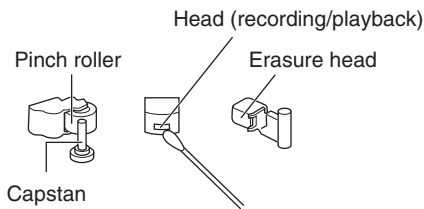
Cleaning the heads, capstan and pinch roller

Cleaning is important!

When the tape is running, magnetic powder and dust naturally accumulate on the heads, capstan and pinch roller. When they become too dirty;

- Sound quality deteriorates.
- The sound output level drops.
- The previous recording is not completely erased.
- Recording is not performed satisfactorily.

To avoid these, clean the heads, capstan and pinch roller every 10 hours of use.



Open the cassette holder. Clean the heads, capstan and pinch roller.

For effective cleaning, use a cleaning kit available at an audio store.

After cleaning, make sure that the cleaning fluid has dried completely before loading a cassette.

Cautions:

- Keep magnets and metallic objects away from the head. If the head becomes magnetized, noise will increase and the sound will deteriorate.
- Demagnetize the recording/playback head every 20 to 30 hours of use with a head demagnetizer available at an audio store. When demagnetizing the head, the unit should be turned off.

As the erasure head of the unit is of magnetic type, do not demagnetize it.

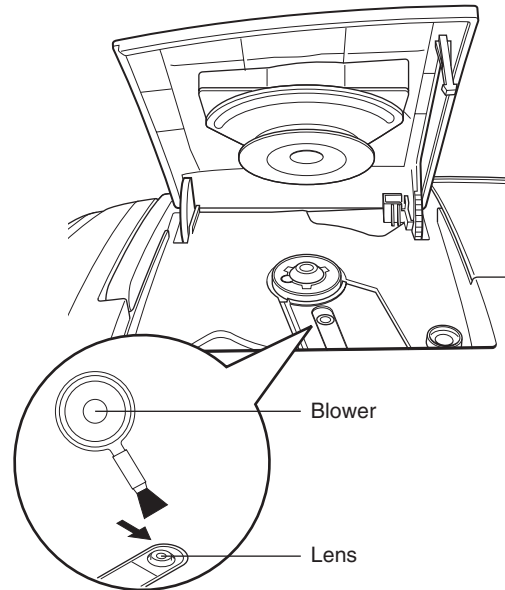
- Do not use anything other than alcohol for cleaning. Thinner and benzene will damage the rubber pinch roller.

Cleaning the CD pickup lens

If the CD pickup lens is dirty, the sound may be degraded.

Open the disc door and clean the lens.

Use a blower (available at a camera store, etc.) to blow off dust on the lens.



TROUBLESHOOTING

- If you are having a problem with your unit, check this list for a possible solution before calling for service.
- If you cannot solve the problem from the hints given here, or the unit has been physically damaged, call a qualified person, such as your dealer, for service.

Symptom	Possible cause	Action
Power cannot be turned on.	The power cord is unplugged.	Connect the power cord.
When ► PLAY is pressed, tape does not move.	■ PAUSE is pressed.	Press ■ PAUSE again to release it.
Playback sound is at a very low level.	<ul style="list-style-type: none"> • Batteries are run down. • The head is dirty. 	<ul style="list-style-type: none"> • Replace the batteries with new ones. • Clean the head.
● REC does not function.	<ul style="list-style-type: none"> • The safety tabs of the cassette have been broken off. • No cassette is loaded. 	<ul style="list-style-type: none"> • Reseal the slots with adhesive tape. • Load a cassette.
The disc is loaded but does not play.	<ul style="list-style-type: none"> • The disc is upside down. • The disc is dirty. • The disc is damaged or warped. • The lens is dirty. • There is moisture condensation. 	<ul style="list-style-type: none"> • Load the disc with the label side facing up. • Clean the disc. • Replace the disc with a playable one. • Clean the lens. • Turn the unit on and wait one or two hours before use.
No sound from the speakers.	Headphones are connected.	Disconnect the headphones.
Since the tape speed is irregular, wow and flutter occur.	<ul style="list-style-type: none"> • The pinch roller or capstan is dirty. • Batteries are run down. 	<ul style="list-style-type: none"> • Clean the pinch roller and capstan. • Replace the batteries with new ones.
Radio reception is poor and there is much static.	The antenna is not properly adjusted.	Adjust the antenna correctly.
Remote control is impossible.	<ul style="list-style-type: none"> • Batteries in the remote control unit are run down. • The remote sensor section is exposed to bright light (direct sunlight, etc.) 	<ul style="list-style-type: none"> • Replace the batteries with new ones. • Try not to operate the unit under direct sunlight, etc.

If this product does not function properly even after you have implemented the possible solutions given above

Many functions of this product are implemented by microcomputers. If malfunction is caused by thunder or static electricity, or the main unit does not function properly even when you press a button, disconnect the power plug from the AC outlet, wait for a while, and then connect this product again.

Note:

When the unit is moved from a cold place of around 0°C (32°F) to a warm place, it may not operate normally, because moisture has formed inside the unit. Normal operation will be restored after waiting one or two hours.

SPECIFICATIONS

CD player

CD capacity	: 1 CD
Signal-to-noise ratio	: 60 dB
Dynamic range	: 60 dB

Tuner

FM tuning range	: 87.5 MHz – 108.0 MHz
AM tuning range	: 520 kHz – 1 710 kHz
Antennas	: Telescopic antenna for FM Ferrite core antenna for AM

Cassette deck

Frequency response	: 100 Hz – 8 000 Hz
Wow & flutter	: 0.35% (WRMS)
Fast wind time	: Approx. 170 sec. (C-60 cassette)

General

Speakers	: Main 10 cm cone × 2 Tweeter 3.5 cm cone × 2
Speaker impedance	: 3 Ω
Output power	: 2 W per channel, min. RMS, driven into 3 Ω at 1 kHz with no more than 10 % total harmonic distortion.
Output terminals	: PHONES × 1
Power supply	: AC 120 V ~, 60 Hz DC 12 V (R20 (SUM-1)/D (13D)-size batteries × 8)
Power consumption	: 10 W (at operation) 1.4 W (on standby)
Dimensions	: 435 mm × 165 mm × 240 mm (17 ^{-3/16} " × 6 ^{-1/2} " × 9 ^{-1/2} ") (W/H/D)
Mass	: Approx. 3.6 kg (8lbs) (without batteries)
Accessories provided	: AC power cord × 1 Remote control unit × 1

Design and specifications are subject to change without notice.



WARRANTY REPAIR / REPLACEMENT FORM

PLEASE COMPLETE THE FOLLOWING;

PLEASE NOTE : P.O. BOXES ARE NOT ACCEPTABLE

NAME: _____

STREET ADDRESS: _____

CITY: _____ STATE _____ ZIPCODE _____

DAY TIME PHONE NUMBER: _____

REASON FOR RETURN _____

Please do not return your product to the retailer. Instead, please box the product carefully, preferably in the original carton, and ship, insured to the JVC repair/replacement facility nearest you.

A COPY OF YOUR BILL OF SALE, A COMPLETED WARRANTY REPAIR/REPLACEMENT FORM AND ALL OF THE ORIGINAL ACCESSORIES WHICH CAME WITH YOUR UNIT MUST ACCOMPANY THE PRODUCT TO BE ELIGIBLE FOR REPAIR/REPLACEMENT UNDER WARRANTY.

To obtain the address of the location nearest you, please call **(800) 252-5722** or visit our website <http://www.jvc.com>.

If you have any questions concerning your JVC Product, please contact our Customer Care Center at **(800) 252-5722**.



LIMITED WARRANTY

EXCHANGE-90

JVC COMPANY OF AMERICA warrants this product and all parts thereof, except as set forth below ONLY TO THE ORIGINAL PURCHASER AT RETAIL to be FREE FROM DEFECTIVE MATERIALS AND WORKMANSHIP from the date of the original retail purchase for the period shown below. ("The Warranty Period")

LABOR 90 DAYS PARTS 90DAYS

THIS LIMITED WARRANTY IS VALID ONLY IN THE FIFTY (50) UNITED STATES, THE DISTRICT OF COLUMBIA AND IN THE COMMONWEALTH OF PUERTO RICO.

WHAT WE WILL DO:

If this product is found to be defective within the warranty period, JVC will, at its option, either repair or replace the defective part(s) or replace the product with a new or refurbished functionally equivalent product. Within 90 days from date of retail sale, repair or replacement will be at no charge to the customer.

WHAT YOU MUST DO FOR WARRANTY SERVICE:

Please do not return your product to the retailer. Instead, please box the product carefully, preferably in the original carton, and ship, insured to the JVC repair/replacement facility nearest you.

To obtain the address of the location nearest you, please call (800) 252-5722 or visit our website at <http://www.jvc.com>

A COPY OF YOUR BILL OF SALE, A COMPLETED WARRANTY REPAIR/REPLACEMENT FORM AND ALL OF THE ORIGINAL ACCESSORIES WHICH CAME WITH YOUR UNIT MUST ACCOMPANY THE PRODUCT TO BE ELIGIBLE FOR REPAIR/REPLACEMENT UNDER WARRANTY.

If you have any questions concerning your JVC Product, please contact our Customer Care Center at (800) 252-5722.

WHAT IS EXCLUDED:

The warranty does not cover:

1. Products which have been subject to abuse, accident, alteration, modification, tampering, negligence, misuse, faulty installation, lack of reasonable care, or if repaired or serviced by anyone other than a service facility authorized by JVC to render such service, or if affixed to any attachment not provided with the products, or if the model or serial number has been altered, tampered with, defaced or removed.
2. Initial installation, installation and removal, from "built in" entertainment centers, and other mounting systems.
3. Operational adjustments covered in the Owner's Manual, normal maintenance, including head cleaning.
4. Damage that occurs in shipment, due to act of God, and cosmetic damage.
5. Signal reception problems and failures due to line power surge.
6. Products used for commercial purposes (including but not limited to rental).
7. Accessories.
8. Batteries (except that Rechargeable Batteries are covered for 90 days from the date of purchase).
9. Loss of data resultant from malfunction of hard drive or other data storage device.

There are no express warranties except as listed above.

AFTER THE WARRANTY:

Please contact JVC's Customer Care Center at (800) 252-5722 to obtain the cost of out of warranty repair or replacement.

THE DURATION OF ANY IMPLIED WARRANTIES, INCLUDING THE IMPLIED WARRANTY OF MERCHANTABILITY, IS LIMITED TO THE DURATION OF THE EXPRESS WARRANTY HEREIN.

JVC SHALL NOT BE LIABLE FOR ANY LOSS OF USE OF THE PRODUCT, INCONVENIENCE, OR ANY OTHER DAMAGES, WHETHER DIRECT, INCIDENTAL OR CONSEQUENTIAL (INCLUDING, WITHOUT LIMITATION, DAMAGE TO TAPES, RECORDS OR DISCS) RESULTING FROM THE USE OF THIS PRODUCT, OR ARISING OUT OF ANY BREACH OF THIS WARRANTY. ALL EXPRESS AND IMPLIED WARRANTIES, INCLUDING THE WARRANTIES OF MERCHANTABILITY AND FITNESS FOR PARTICULAR PURPOSE, ARE LIMITED TO THE WARRANTY PERIOD SET FORTH ABOVE.

Some states do not allow the exclusion of incidental or consequential damages or limitations on how long an implied warranty lasts, so these limitations or exclusions may not apply to you. This warranty gives you specific legal rights and you may also have other rights which vary from state to state.

JVC COMPANY OF AMERICA
DIVISION OF JVC AMERICAS CORP.

1700 Valley Road
Wayne, New Jersey 07470

<http://www.jvc.com>

REFURBISHED PRODUCTS CARRY A SEPARATE WARRANTY, THIS WARRANTY DOES NOT APPLY. FOR DETAIL OF REFURBISHED PRODUCT WARRANTY, PLEASE REFER TO THE REFURBISHED PRODUCT WARRANTY INFORMATION PACKAGED WITH EACH REFURBISHED PRODUCT.

For customer use:

Enter below the Model No. and Serial No. which is located either on the rear, bottom or side of the cabinet. Retain this information for future reference.

Model No.: _____ Serial No.: _____

Purchase Date : _____ Name Of Dealer : _____



JVC